

Sharpsmart



Medically Proven. The World's
Safest Sharps Management System



MAKING HEALTHCARE SAFER
SOINS DE SANTÉ PLUS SÉCURITAIRES

Sharpsmart

MAKING HEALTHCARE SAFER
AND THE ENVIRONMENT **GREENER.**

The Daniels Sharpsmart system is the world's safest and most environmentally responsible sharps management system.

Peer reviewed in four independent studies and relied on by healthcare facilities around the world, the Daniels Patented Sharpsmart system is driven by a single objective – to save lives.

Results from the largest international study of sharps containment systems were published in 2003 in the British Journal of Hospital Infection.

These findings below showed a dramatic reduction in sharps injuries:

CONTAINER RELATED SHARPS INJURIES	▶	87%
OTHER SHARPS INJURIES	▶	26%
TOTAL SHARPS INJURIES	▶	33%



SAFETY ENGINEERED DEVICES ARE NOT ENOUGH

The advancement of safety engineered devices has assisted in the reduction of needlestick injuries, however recent studies show that a safe sharps containment system is paramount in protecting staff and patient safety. Many sharps injuries from safety engineered devices (SED) are due to non-activation. A recent study conducted in 5 Florida healthcare facilities showed that overall, 42.5% of devices were discarded "sharp".

The audit further revealed that only 55.5% of sharps deposited into sharps collectors were Safety Engineered Devices, and of these, 21.6% of were either not activated, or partially activated.

"In this sampling it is of concern that 12 years after U.S. SED legislation, 64.3% of healthcare professionals placed themselves at risk by capping or discarding naked needles. Many non-activated phlebotomy devices were visibly blood-contaminated."

Terry Grimmond
Microbiologist | FASM, BAgSc, GrDpAdEd

Sustainability

Daniels Health is a company committed to ecological sustainability and safe environmental practices. Our reusable products and waste processing solutions are designed for minimum environmental impact.

In 2015, Canadian hospitals using Daniels reusable SharpSMARTs:

DIVERTED 435 TONNES of plastic from landfill...

and reduced cardboard cartons by **69 TONNES**



▼
**THAT'S THE
WEIGHT OF 1.3
AIRBUS A380'S**

DIVERTED 7,685 cubic metres of plastic containers from landfill

▼
**THAT'S
5 HOCKEY RINKS
FILLED TO
THE BOARDS**



DATA EXTRACTED FROM PEER REVIEWED, PUBLISHED STUDIES
Terry Grimmond Microbiologist | FASM, BAgSc, GrDpAdEd

“

The Hospital For Sick Children... is extremely happy with SharpSMART in all of its applications.

Tom Meevis

Environmental Affairs Coordinator
The Hospital for Sick Children
Toronto, Canada

Sharpsmart Models

Born out of 5 years of research, the engineered precision of Sharpsmart's safety-led design sets it apart as the world's first sharps container qualified and proven to be an engineered safety device. Navigating the complexity of sharps disposal safety risks and very serious threat of blood-borne pathogens being acquired via sharps injuries, Sharpsmart is designed with thirteen unique safety features, each minimising the disposal risk of sharp items used in human and animal medical applications.

SIZES



S14

HEIGHT: 280mm
WIDTH: 395mm
DEPTH: 210mm
CAPACITY: 6.5L



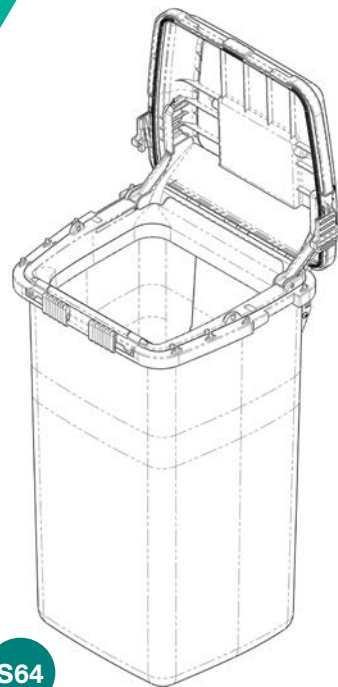
S22

HEIGHT: 440mm
WIDTH: 395mm
DEPTH: 210mm
CAPACITY: 14.5L



S32

HEIGHT: 610mm
WIDTH: 395mm
DEPTH: 210mm
CAPACITY: 23.5L



S64

HEIGHT: 726mm
WIDTH: 398mm
DEPTH: 354mm
CAPACITY: 47L

OPENING TYPES



REGULAR

The regular Sharpsmart collector is fitted with an engineered maximum sensitivity safety tray. The safety-tilt mechanism is activated by the weight of the waste in a single swing action, and releases away from the user to ensure safe disposal.



ACCESS PLUS

Designed for secure areas where unrestricted deposit of sharps is required, the Access Plus collector features a full opening lid without a tray to provide full access to the container.

Waste Types

Sharpsmart collectors are compliant with the Canadian Standards Association, the Canadian general standards board of packaging requirements, and the transportation of Dangerous Goods code. The Daniels range of sharps solutions meet the highest regulatory standards for sharps containers in Canada.

BIOMEDICAL WASTE

Purposed for the safe disposal of clinical sharps, the Biomedical Sharpsmart range is versatile to accommodate small volume waste generated in patient rooms right through to high volume or secure areas including emergency departments, intensive care units, operating rooms, laboratories, long term care homes, nursing homes and doctors offices.

Available Sizes:

REGULAR

14 22 32

ACCESS PLUS

14 32 64



CYTOTOXIC WASTE

With a range of options for public access and secure areas, the Daniels Cytotoxic range of Sharpsmart collectors are ideally suited for use in regional cancer centers and chemotherapy treatment units.

Available Sizes:

REGULAR

14 22 32

ACCESS PLUS

32 64



PHARMACEUTICAL WASTE

Mitigating unnecessary risk for healthcare practitioners and the public in the disposal, transport and treatment of pharmaceutical waste, the Daniels Pharmaceutical Sharpsmart collectors form part of a safeguarded waste journey that eliminates tampering, theft and misappropriation of discarded pharmaceuticals. Ideally suited for use in pharmacies, medication rooms, medication carts and medication dispensing units.

Available Sizes:

REGULAR

14 22 32

ACCESS PLUS

32 64



“

You have discovered a great engineering control device that is in the process of sweeping the nation.

Mike Smucker

Kishwaukee Community Hospital, USA,
Environmental Services



The Cost of a Needlestick Injury.

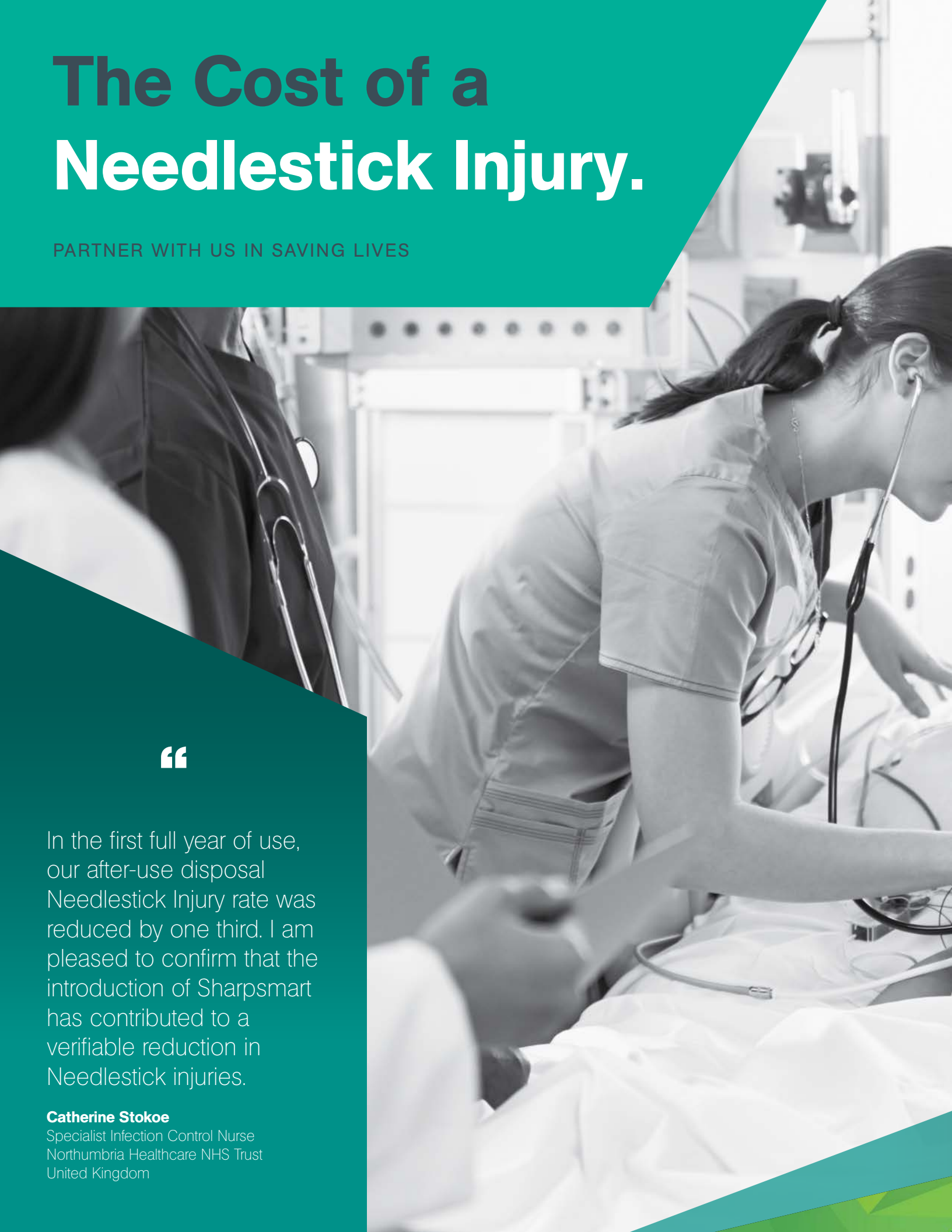
PARTNER WITH US IN SAVING LIVES

“

In the first full year of use, our after-use disposal Needlestick Injury rate was reduced by one third. I am pleased to confirm that the introduction of Sharpsmart has contributed to a verifiable reduction in Needlestick injuries.

Catherine Stokoe

Specialist Infection Control Nurse
Northumbria Healthcare NHS Trust
United Kingdom





Sharps injuries not only incur substantial financial implications for medical institutions, they also impose a huge emotional burden on healthcare workers and families.

“For 26 years, I was a staff nurse and loved my practice. But one day, I was stuck with a needle protruding from a sharps container. I didn’t know it then, but my life was changed forever that day. A few months later, I learned that the fatigue, weight loss and other symptoms I was experiencing were due to exposure to bloodborne pathogens from that needlestick.

In the beginning I didn’t know if I’d survive or what my life would be like. I had to leave bedside nursing. One thing I was sure of is that my injury was preventable, and I didn’t want to see this happen to anyone else.”

Karen Daley
PhD, MPH, RN, FAAN
President | American Nurses Association

Sharpsmart features & benefits.

The Sharpsmart system has been scientifically proven to be the world's safest and most environmentally responsible sharps management system.

With over 5 years of research invested into its design and engineering, the Sharpsmart collector is manufactured to precise tolerances to ensure that all safety mechanisms are functional on each and every collector. In its design and proven studies, the Sharpsmart is more than just a sharps container, it is an engineered safety device which eliminates risk of container-related sharps injury, and minimises the impact on the environment.

Peer reviewed and documented in numerous publications globally, the Sharpsmart system has proven greater reduction in sharps injuries than any other sharps containment system in the world.



WIDE OPENING

The optimal access geometry of the lid opening with a wide aperture for large/awkward sharps minimises disposal-related injuries & restricts hand access to the contained waste.



CHECK CONTENTS LEVEL

A Clearview window identifies the fill level of the collector, a feature unique to Daniels Sharpsmart collectors.



ELIMINATES OVERFILLING

Once the collector is full, the in-built safety tray is activated into an upright closed position to restrict access and overfilling.



MAXIMUM STRENGTH HARDENED PLASTIC

The Medical grade hardened plastic casing of the Sharpsmart collector is completely impenetrable by contained sharps. The Sharpsmart collector has been test-proven to an amazing 500 cycles proving its durability, sterility and re-usability.



SAFE DISPOSAL IN A SINGLE ACTION

The Sharpsmart collector has been strategically engineered to minimise risk by enabling single-action sharps disposal:

▶ The maximum sensitivity safety tray is activated by the weight of the waste with a single swing action.



▶ The safety-tilt mechanism releases the waste safely into the collector away from the user.



▶ When static or in motion, the swing-action safety tray effectively conceals the aperture of the container to ensure no hands ever come into contact with contaminated sharps.



▶ The gravity balanced mechanism of the tray resets to an open safe-disposal position after each use until the container is full.



CANNOT BE REOPENED

Side locks are tamper proof when engaged. This safety feature prevents unauthorised access to the container contents.



NO LEAKS

A liquid seal fixed around the rim of the collector lid eliminates leakage of bodily fluids during transport. Container leakage is a common hazard with sharps collectors that aren't equipped with a leakproof seal.



Sharpsmart Circle of Safety.



SMART, SAFE DELIVERY SYSTEM

Sharpsmart collectors arrive pre-assembled, thereby eliminating:

- Waste from cardboard packaging
- Container assembly time
- Sharps injuries caused by incorrectly assembled containers



SHARPS COLLECTORS WHERE YOU NEED THEM

Daniels' trained specialists will advise on the best systems for your facility, incorporating:

- Collector sizes and locations to optimise changeover frequency
- Purpose designed interchangeable brackets, trolleys and storage solutions to maximise logistical efficiencies and enable point-of-use disposal
- Education, support and training of staff



PROTECTING STAFF AND PATIENTS

The Sharpsmart's patented swing-action safety tray:

- Provides a 300mm wide unhindered opening to allow large sharps to be deposited without force
- Eliminates hand access to discarded sharps
- Eliminates overfilling by defaulting to a closed position once sharps volume reaches the fill line
- In secure areas, where bulky sharps are used or rapid deposition is required, Daniels Access Plus Sharpsmart range optimises volume, efficiency and safety requirements



Environmentally friendly detergent is used during the six stage robotic washing process. The Daniels automated washlines do not require harmful chemicals to achieve their high degree of microbiological efficacy.



“Their representatives were flexible and accommodating for our staff, management team and patients. The education program for our staff was up-to-date, the install went very smoothly and the response time for any issue was same-day. From start to finish, you can rely on Daniels to get the job done.”

Carrie Sophonow

House-Keeping/Linen Manager
Chatham-Kent Health Alliance, Chatham, Ontario



SAFER WHEN FULL

When full, the safety tray swings into an upright position to prevent overfilling and risk of sharps injury from protruding sharps. Added safety features of the Sharpsmart collector include:

- Unique tamper-proof locks
- Side locks which, once engaged, prevent the collector from being re-opened manually
- Leakproof seals prevent risk of leakage during movement



NO RISKS IN TRANSIT

Daniels ensures the highest standards of safety and service even after full Sharpsmart collectors have been removed from your premises:

- Purpose-built bulk transport trolleys enable efficient handling of Sharpsmart collectors within your facility
- Purpose-built bulk transporters transport Sharpsmart collectors from your facility to ensure that they are kept permanently upright and elevated from the ground to avoid damage, contamination and spillage
- Sharpsmart collectors meet United Nations PG2 certification standards for the transport of Dangerous Goods



QUALITY CONTROL CHECKS BEFORE THE CYCLE STARTS

Rigorous quality checks are carried out on each Sharpsmart collector before they are returned to service. These include:

- Washsmart robotic cleaning process which has been tested to prove a 10⁸ log reduction in bacterial load
- Manual Cleanliness checks
- Manual Functionality checks

Position. Storage. Movement.

Engineered to optimise space, overcome logistical challenges, and enable point-of-use disposal, the Daniels suite of clinical products and accessories are designed as an end-to-end solution, providing safe and seamless transitions between different work environments and applications.

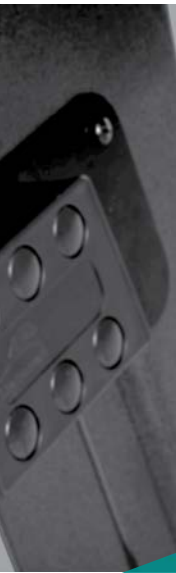
The three signature designs exclusive to Daniels Health which enable logistical versatility and space optimisation are the Daniels peg system, mounting bracket and rail locks. These three systems form the genesis of all our accessory designs.

Daniels Peg System

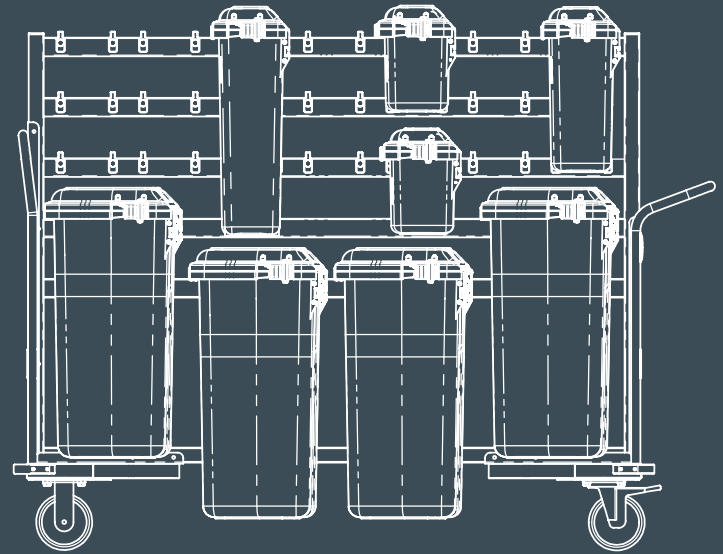


Mounting Bracket





Rail Locks



Our interchangeable SharpSmart & Accessory systems are designed not only to achieve optimum versatility but also to champion safe handling for hospital staff and reduce the risk of infection. All of our mounting and logistical accessories ensure that SharpSmart collectors are always suspended from the ground, and the maneuverability of our transport accessories take the risk out of waste handling. The Daniels SharpSmart collectors are not just a sharps waste receptacle, they are part of an engineered risk-averse solution that manages waste from cradle to grave with the highest safety and environmental standards ever evidenced in the medical industry.



Sharpsmart Mounting Options

The Daniels suite of bracketing and transportation accessories have been engineered to achieve maximum versatility, optimise space, and overcome logistical challenges within clinical environments. Designed with a small footprint to fit into space-restrictive areas, the Daniels trolleys and floorstands are fitted with a standard mounting bracket which gives optimum versatility for point-of-use and enables efficient movement of collectors.

ORDER CODE

7111	STANDARD CRADLE Easy to install design simply hooks over rail on trolley to allow Sharpsmart collectors to face inwards or outwards. Rugged, non-rust stainless steel construction. Compatibility: S14, S22 Regular and Access Plus sizes	
7110	MOUNTED CRADLE Identical concept and design as Standard Cradle, but with additional mounting plate to attach Cradle to a wide variety of trolley designs. Compatibility: S14, S22 Regular and Access Plus sizes	
7115	STANDARD WALL BRACKET Universal bracket enabling wall mounting of Sharpsmart range. Bracket kit comes with screws and hole-plugs. For wall mounting of Access Plus Sharpsmarts, see Access Plus bracket. Compatibility: S14, S22 and S32 Regular sizes	
7105	WALL BRACKET - ACCESS PLUS Designed for wall mounting of the Sharpsmart Access Plus range to allow 90-degree lid opening. Compatibility: S14, S22, S32 Access Plus sizes	
7112 Left Side Lock 7113 Right Side Lock	SHARPSMART LOCKING WALL BRACKET For use in areas where secure, key lock mounting of Sharpsmart collectors is required. Compatibility: S14, S22 and S32 Regular sizes	
7114	LOCKING MOUNTSMART Designed for versatile inward or outward mounting of Sharpsmart collectors to allow 90-degree lid opening. Compatibility: S14, S22, S32 Regular and Access Plus sizes	
7116	BENCH BRACKET FOR SHARPSMART S14 Provides secure stabilisation of S14 collectors on a benchtop. Compatibility: S14 Sharpsmart Regular and Access Plus sizes	
7117	BENCH BRACKET FOR SHARPSMART S22 Provides secure stabilisation of S22 collectors on a benchtop. Compatibility: S22 Sharpsmart Regular and Access Plus sizes	
7320	FLOOR STAND Designed for stable floor mounting. Stainless steel and plastic construction is tough and easy to clean. Compatibility: S14, S22 and S32 Regular and Access Plus sizes	
7371	64 SERIES FLOOR STAND Designed for stable floor mounting. Stainless steel and plastic construction is tough and easy to clean. Compatibility: 64 Series only	

Sharpsmart Storage & Logistics

7331

MRI CARTSMART

Designed for use in MRI suites and any applications which require non-magnetised equipment. This product has an MRI Conditional Rating.

Compatibility: All Sharpsmart Regular and Access Plus sizes



7330

CARTSMART 1

Enables convenient, mobile, off the floor mounting of Sharpsmarts. Plastic construction is lightweight and easy to clean.

Compatibility: All Sharpsmart Regular and Access Plus sizes



7351

7358

SOFT CLOSE ACCESSMART

Designed for the 64 Series collectors, this foot-pedal operated trolley also has the added versatility of being fitted with a side mounting bracket to hold Sharpsmart S14 and S22 regular collectors.

Access Smart Trolley Compatibility: 64 Series collectors

S-Series Side Bracket Compatibility: S14, S22 regular only



7802

750mm wide

7800

1120mm wide

WALLSMART STORAGE SYSTEM

Unique hook system that enables Sharpsmart collectors to be hung on the wall for efficient storage within hospitals. Modular system of panels can be modified to suit different sized walls and storage areas. Panel size: 1800mm (H)

Compatibility: All Sharpsmart Regular and Access Plus sizes



7801

WALLSMART MINI

A wall mounted locking system for holding up to 3 sharpsmart collectors.

Standard panel size: 152mm (H) x 672mm (W)

Compatibility: All Sharpsmart Regular and Access Plus sizes



7381

SMALL INTERNAL DELIVERY CART

Custom made delivery cart with rubber buffers and brakes for movement of Sharpsmarts within a healthcare facility. Holds 40 x S14; or 20 x S22 plus 10 x S14; or 20 x S32, or a combination of various sizes.

S-Series Cart Compatibility: S14, S22, S32 Regular and Access Plus Sizes



7379

SMALL 64 INTERNAL DELIVERY CART

7382

LARGE INTERNAL DELIVERY CART

Custom made delivery cart with rubber buffers and brakes for movement of Sharpsmarts within a healthcare facility. Holds 80 x S14; or 48 x S22 plus 8 x S14; or 32 x S32 plus 8 x S22; or 16 x S14, or a combination of various sizes.

S-Series Cart Compatibility: S14, S22, S32 Regular and Access Plus Sizes



7380

LARGE 64 INTERNAL DELIVERY CART

7358

ADAPTER BRACKET

The 64 Series adapter bracket is designed to mount onto the horizontal bars of the delivery cart to facilitate transport of the large Daniels 64 collector. Each bracket mounts two 64 Series collectors.

Compatibility: 64 Series



MAKING HEALTHCARE SAFER
SOINS DE SANTÉ PLUS SÉCURITAIRES



www.danielshealth.ca



canada@danielshealth.ca

Safe & Environmentally Conscious Sharps Solutions.